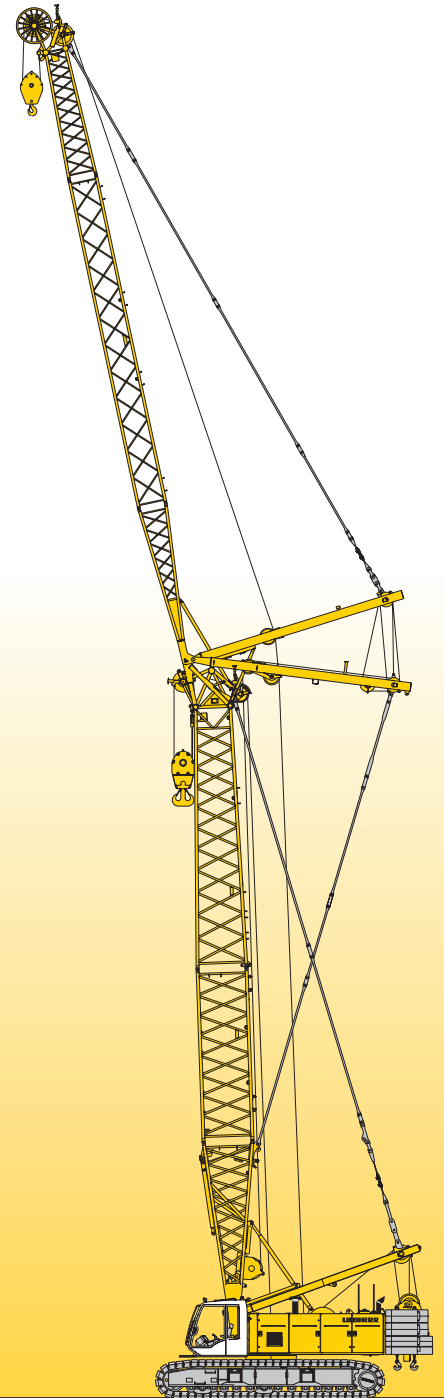


Technical data
Hydraulic lift crane

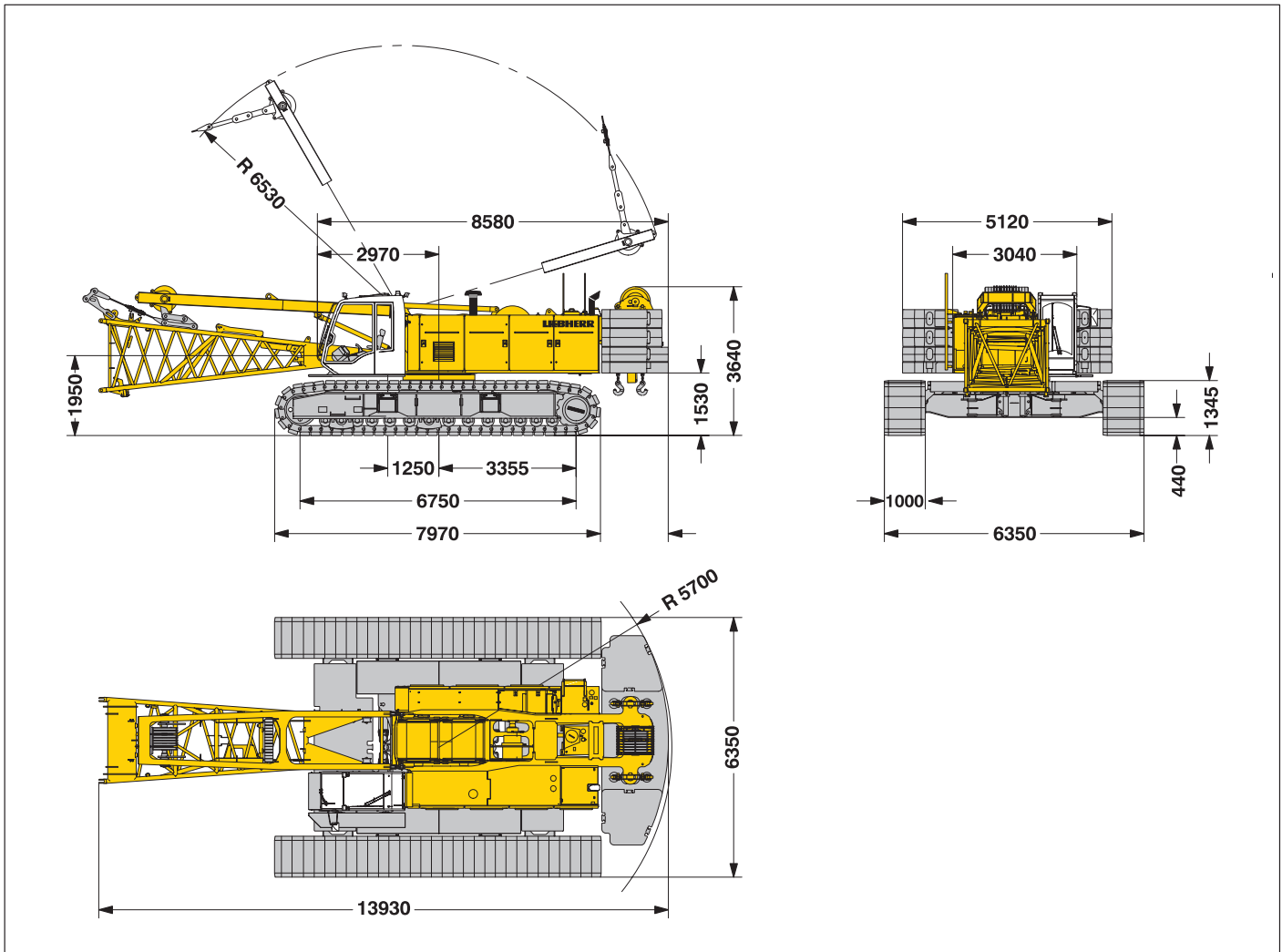
LR 1130
Litronic®



LIEBHERR

Dimensions

Basic machine with undercarriage



Operating weight

The operating weight includes the basic machine with crawlers, 2 main winches 120 kN and 17 m main boom, consisting of A-frame, boom foot (7 m), boom head (10 m), 50.9 t basic counterweight, 20 t carbody counterweight and 160 t hook block.

Total weight _____ approx. 146.1 t

Ground pressure

Ground bearing pressure _____ 1.08 kg/cm²

Equipment

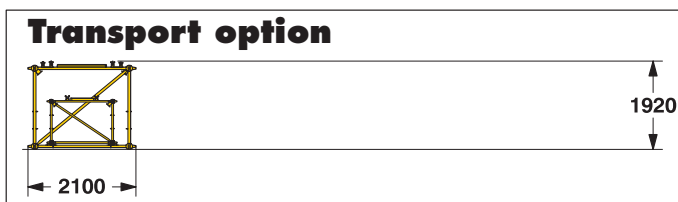
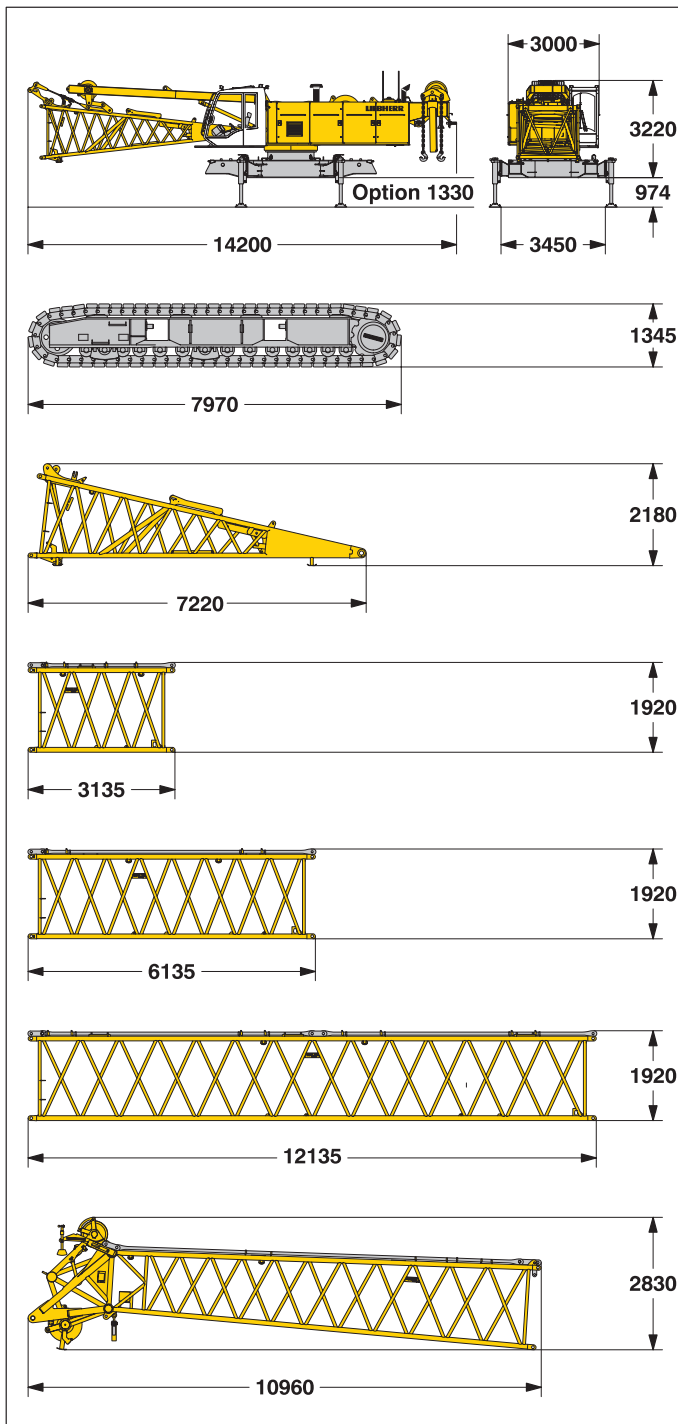
Main boom (No. 2017.xx) max. length _____ 80.0 m
 High reach (No. 2017.xx and 1309.xx) _____ 92.9 m
 Luffing jib (No. 1309.xx) max. length _____ 78.5 m
 Max. combination _____ boom 47.0 m and luffing jib 78.5 m
 Fixed jib (No. 0806.xx) _____ 11 m – 32 m
 Auxiliary jib 24 t lifting capacity (option 36 t)

Remarks

1. The lifting capacities stated are valid for lifting operation only (corresponds with crane classification according to F.E.M. 1.001, crane group A1)
2. Crane standing on firm, horizontal ground.
3. The weight of the lifting device (hoisting ropes, hook block, shackle etc.) must be deducted from the gross lifting capacity to obtain a net lifting value.
4. Additional equipment on boom (e.g. boom walkways, auxiliary jib) must be deducted to get the net lifting capacity.
5. For max. wind speed please refer to lift chart in operator's cab or manual.
6. Working radii are measured from centre of swing and under load.
7. The lifting capacities are valid for 360 degrees of swing.
8. Calculation of stability under load is based on DIN 15019 / part 2 / chart 1 and ISO 4305 Table 1 + 2, tipping angle 4°.
9. The structures are calculated according to F.E.M. 1.001 – 1998 (EN 13001–2 / 2004).

Transport dimensions and weights

Basic machine and boom (No.2017.xx)



*) Including pendants

Basic machine

with A-frame, 2x 120 kN crane winches and boom foot, without hoisting ropes, basic counterweight and crawlers

Width	mm	3000
Weight	kg	33400

Crawler

2x

Flat track shoes	mm	(option 1200)	1000
Width	mm	1400	
Weight	kg	16000	

Boom foot (No. 2017.24)

Width	mm	2100
Weight incl. winch and rope	kg	4100
Weight without winch	kg	2600

Boom section (No. 2017.21)

3 m

Width	mm	2100
Weight*	kg	650

Boom section (No. 2017.21)

6 m

Width	mm	2100
Weight*	kg	1040

Boom section (No. 2017.21)

12 m

Width	mm	2100
Weight*	kg	1900

Boom head (No. 2017.21)

Width	mm	2100
Weight*	kg	3100

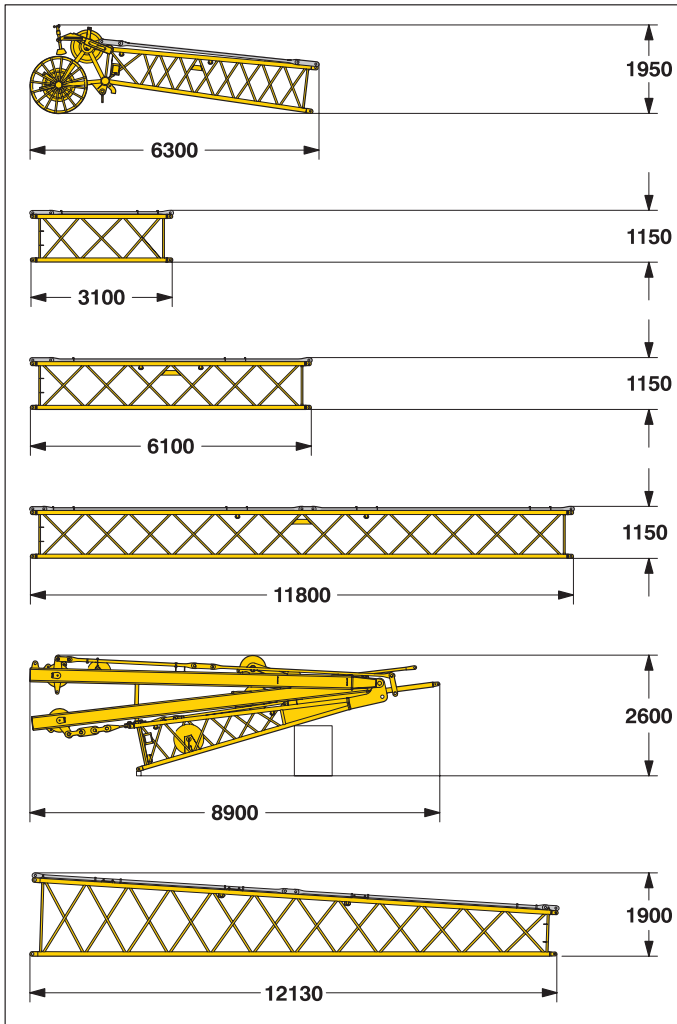
Boom - luffing jib transport option

12 m boom – and 11.7 m jib extension
6 m boom – and 6.0 m jib extension

(No. 2017.xx/1309.xx)		6m/6m	12m/11.7m
Length	mm	6130	12130
Weight*	kg	1560	2860

Transport dimensions and weights

Luffing jib (No. 1309.xx)



Luffing jib head (No. 1309.22)

Width	mm	1390
Weight*	kg	1600

Luffing jib section (No. 1309.20) **3 m**

Width	mm	1390
Weight*	kg	420

Luffing jib section (No. 1309.20) **6 m**

Width	mm	1390
Weight*	kg	520

Luffing jib section (No. 1309.20) **11.7 m**

Width	mm	1390
Weight*	kg	960

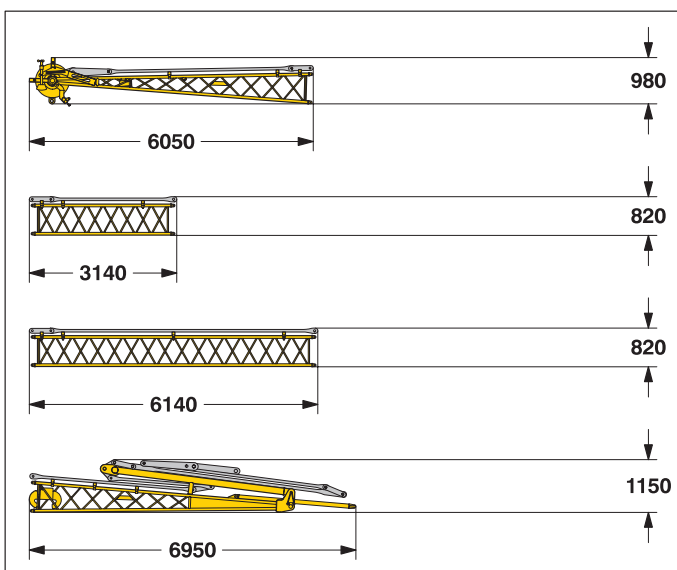
Luffing jib foot with A-frames (No. 1309.22)

Width	mm	1700
Weight*	kg	4450

Boom section tapered (No. 2017/1309.20) **12 m**

Width	mm	2100
Weight*	kg	1060

Fixed jib (No. 0806.xx)



Fixed jib head (No. 0806.16)

Width	mm	950
Weight*	kg	460

Fixed jib section (No. 0806.15) **3 m**

Width	mm	950
Weight*	kg	145

Fixed jib section (No. 0806.15) **6 m**

Width	mm	950
Weight*	kg	250

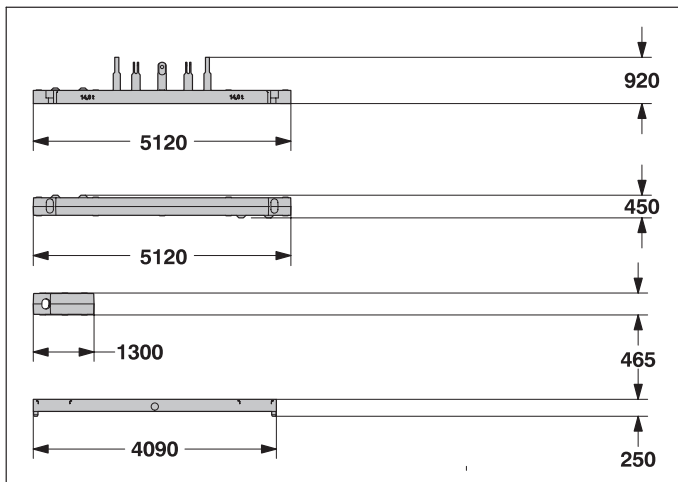
Fixed jib foot with A-frame (No. 0806.16)

Width	mm	2200
Weight*	kg	1010

*) Including pendants

Transport dimensions and weights

Counterweights



Counterweight **1x**

Width	mm	1660
Weight	kg	14500

Counterweight **1x**

Width	mm	1660
Weight	kg	16300

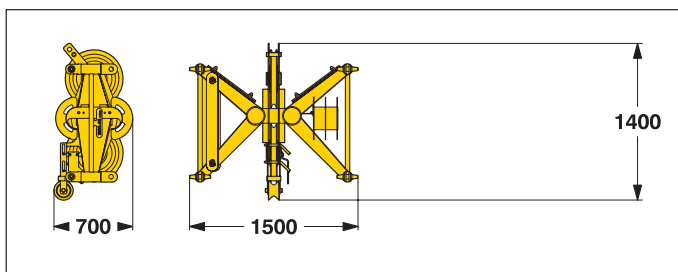
Counterweight **4x**

Width	mm	1360
Weight	kg	5100

Carbody counterweight **2x**

Width	mm	1450
Weight	kg	10000

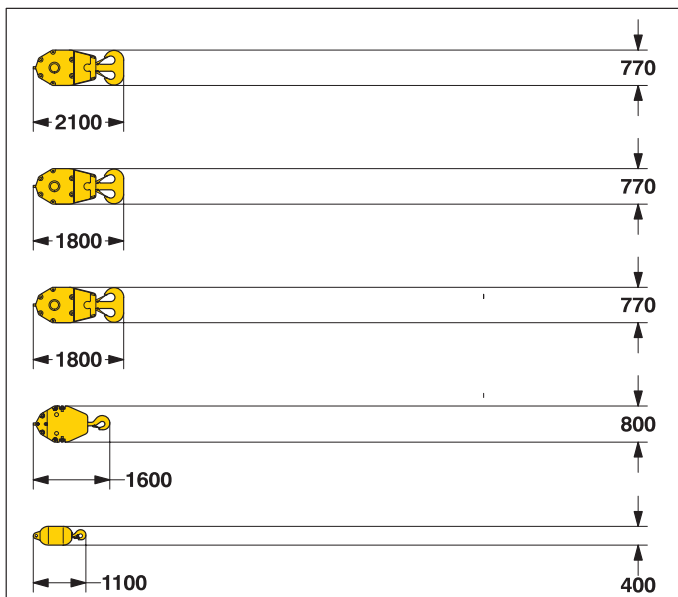
Mid fall (option)



Mid fall section (No. 1309.32) **0.35 m**

Width	mm	700
Weight	kg	270

Hooks



160 t hook block - 7 sheaves

Width	mm	640 — 760 — 880
Weight	kg	1500 — 2250 — 3000

100 t hook block - 5 sheaves

Width	mm	540 — 670 — 770
Weight	kg	1300 — 1800 — 2300

80 t hook block - 3 sheaves

Width	mm	360 — 460 — 560
Weight	kg	1000 — 1500 — 2000

40 t hook block - 1 sheave

Width	mm	300 — 400 — 500
Weight	kg	700 — 1100 — 1500

12.5 t single hook

Width	mm	400
Weight	kg	600

Technical description



Engine

Power rating according to ISO 9249, 270 kW (362 hp) at 2000 rpm
Engine type — Liebherr D 936 L A6
Fuel tank — 830 l capacity with continuous level indicator and reserve warning
Engine complies with NRMM exhaust certification EPA / CARB Tier 3 and 97/68 EC Stage III



Hydraulic system

A double axial displacement pump supplies the open loop hydraulic system, allowing all functions to be operated simultaneously. To minimize peak pressure an automatic working pressure cut-off is integrated in the pump. All filters are electronically monitored. The use of synthetic environmentally friendly (biodegradable) oils is possible. Working pressure — max. 350 bar
Oil tank capacity — 650 l



Luffing jib winch

Line pull — max. 105 kN
Rope diameter — 20 mm
Jib luffing — 46 sec. from 15° to 78°



Boom winch

Line pull — max. 217 kN
Rope diameter — 24 mm
Boom up — 96 sec. from 15° to 86°



Swing

Consists of rollerbearing with external teeth, swing drive with fixed axial piston hydraulic motor, spring loaded and hydraulically released multi-disc holding brake, planetary gearbox and pinion. Both swing modes are possible – speed control or free swing. A multi-disc holding brake acts automatically at zero swing motion. Swing speed from 0 – 3 rpm continuously variable.



Main winches

Line pull (1st layer) — max. 175 kN
Line pull (7th layer) — 120 kN
Rope diameter — 26 mm
Drum diameter — 580 mm
Rope speed m/min — 0 – 136
Rope capacity in 7 layers — 489 m
The winches are outstanding in their compact design and easy assembly. Propulsion is via a planetary gearbox in an oil bath. Load support by the hydraulic system; additional safety factor provided by a spring loaded, multi-disc holding brake. The main winches use pressure controlled, variable flow hydraulic motors. This system features sensors that automatically adjust oil flow to provide max. winch speed depending on load.
Option – winch with freefall system:
Clutch and braking functions on the freefall system are provided by a compact designed, low wear and maintenance free multi-disc brake.



Crawlers

Propulsion through axial piston motor, hydraulically released spring loaded multi-disc brake, crawler tracks, hydraulic chain tensioning device.
Flat track shoes — 1000 mm
Drive speed — 0 – 2.1 km/h



Control

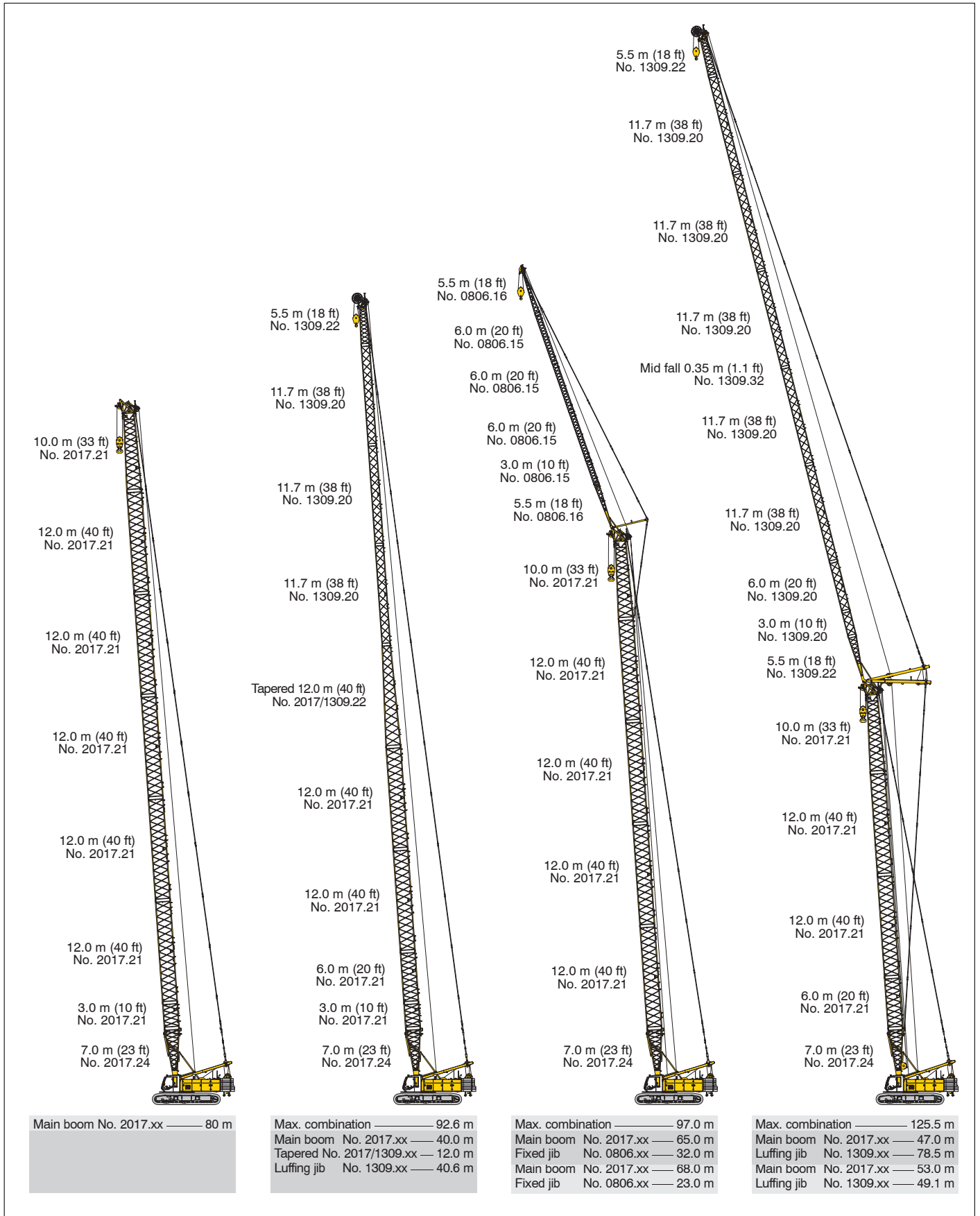
The control system – developed and manufactured by Liebherr – is designed to withstand extreme environmental conditions such as temperature, vibration and electromagnetic interference and to meet all requirements that are needed in heavy duty crane operation. Complete machine operating data are shown on a high resolution display. Standard operational information is displayed by means of graphical symbols, fault indications are displayed in plain text (more than 15 languages available). The cranes are equipped with proportional control for all main movements, which can be carried out simultaneously. The crane is operated with 2 multi-directional joysticks, the right for winch I and boom, the left for winch II and swing control.
Option:
Bi-directional double T-levers for simultaneous boom and luffing jib operation.
The crawlers are activated by the two central foot pedals. Additionally, hand levers can be attached to the pedals.
Remote control for assembly of counterweight.



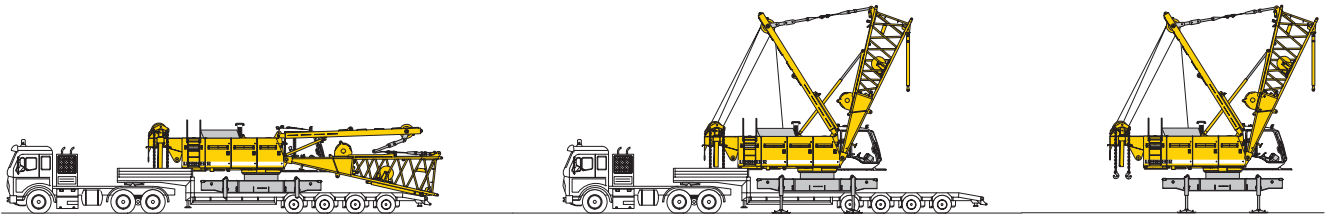
Noise emission

Noise emissions correspond with 2000/14/EC directive on noise emission by equipment used outdoors.

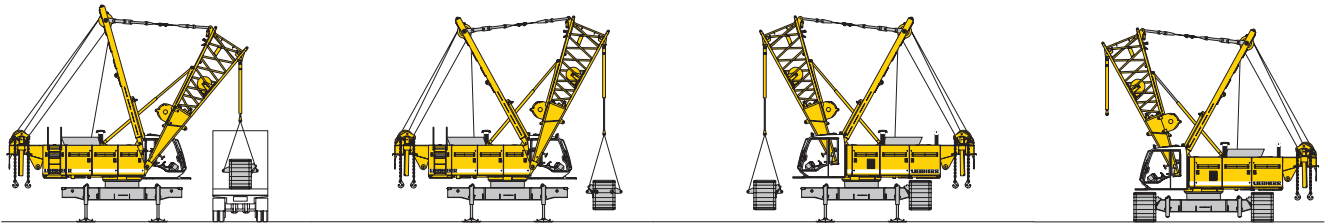
Boom combinations



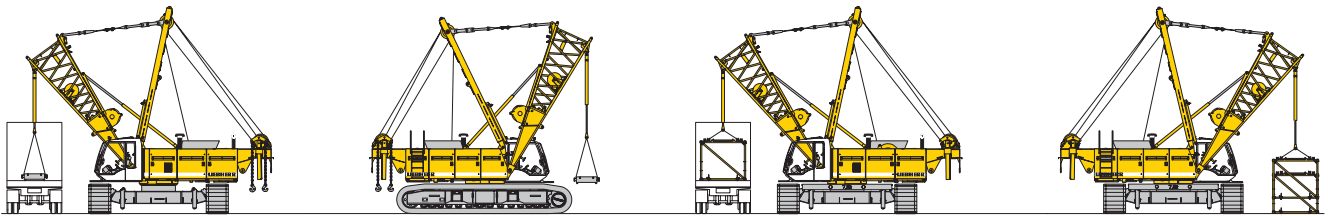
Self assembly system



Unloading of basic machine

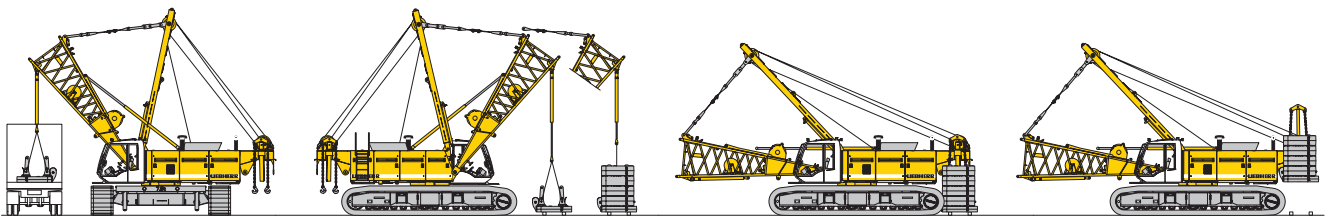


Unloading and assembly of crawlers

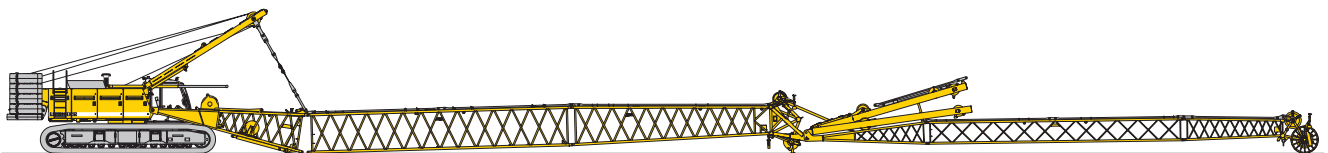


Unloading and assembly of carbody counterweight

Unloading and assembly of boom

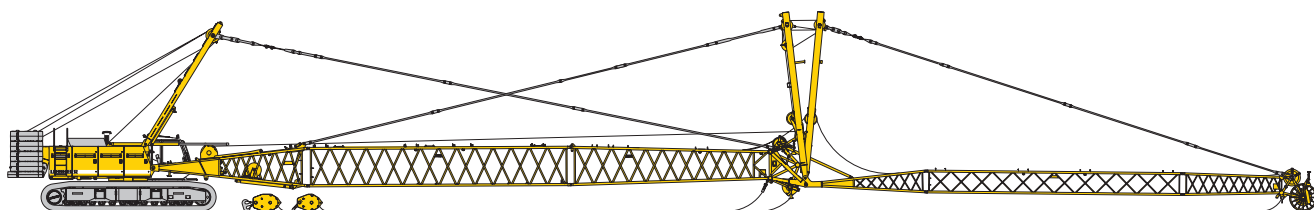


Unloading and assembly of counterweight



Assembly of boom

Erecting of main boom to working position



Reeving of hoist and luffing jib ropes

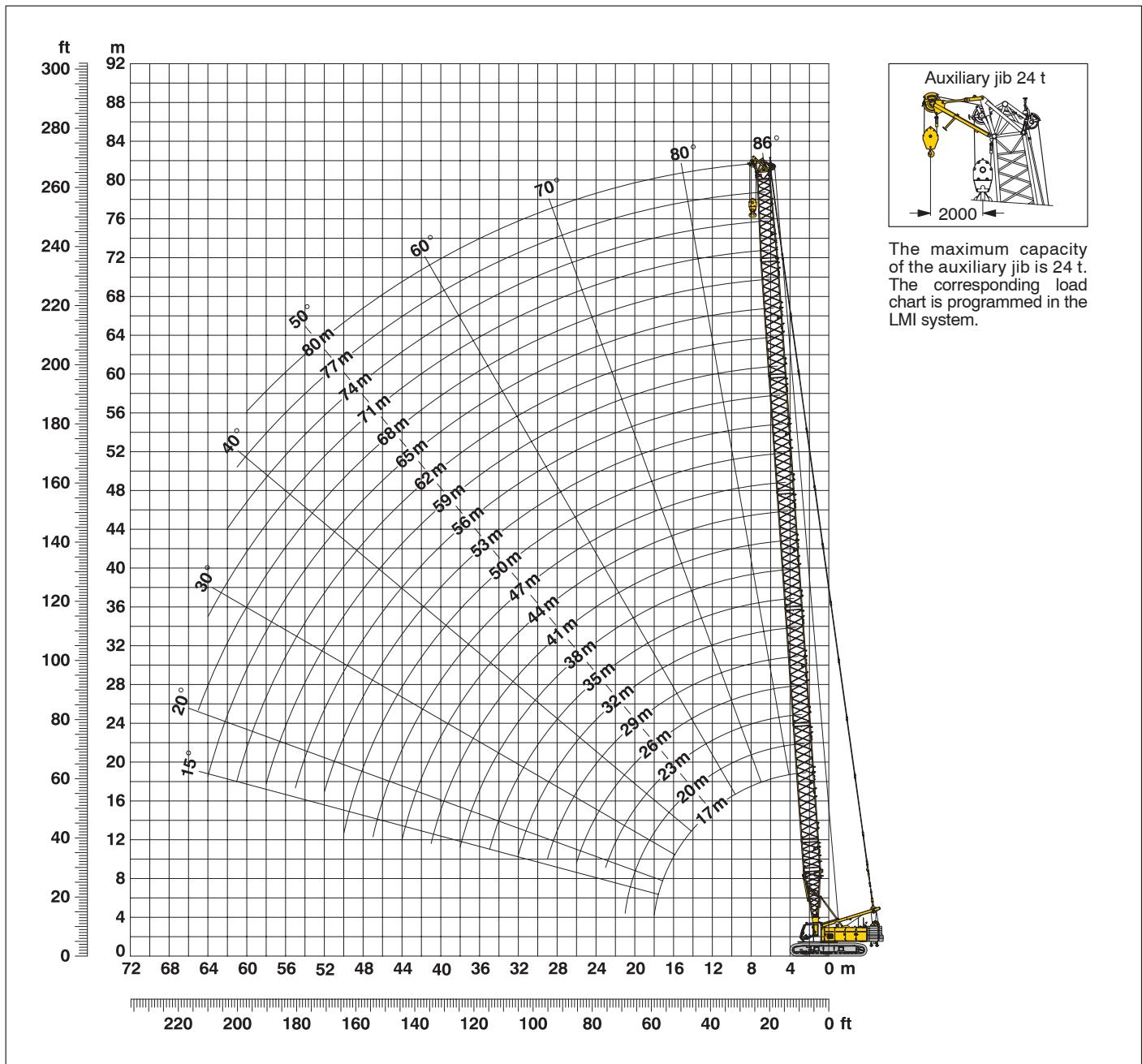


Erecting of main boom and luffing jib

Working position

Working range - main boom (No. 2017.xx) 86° - 15°

50.9 t counterweight and 20 t carbody counterweight



Main boom configuration (Table 1 – No. 2017.xx)

Configuration for boom lengths (17 m – 80 m)

Configuration	Length	Amount of boom extensions																					
		1	1	1	1	1	1	1	1	1	1	1	1	1	1	1	1	1	1	1	1		
Boom foot	7.0 m	1	1	1	1	1	1	1	1	1	1	1	1	1	1	1	1	1	1	1	1		
Boom insert	3.0 m		1		1		1		1		1		1		1		1		1		1		
Boom insert	6.0 m			1	1		1		1		1		1		1		1		1		1		
Boom insert	12.0 m					1	1	1	1	2	2	2	2	3	3	3	3	4	4	4	4	5	5
Boom head	10.0 m	1	1	1	1	1	1	1	1	1	1	1	1	1	1	1	1	1	1	1	1	1	
Boom length (m)		17	20	23	26	29	32	35	38	41	44	47	50	53	56	59	62	65	68	71	74	77	80

Lift chart for main boom (No. 2017.xx)

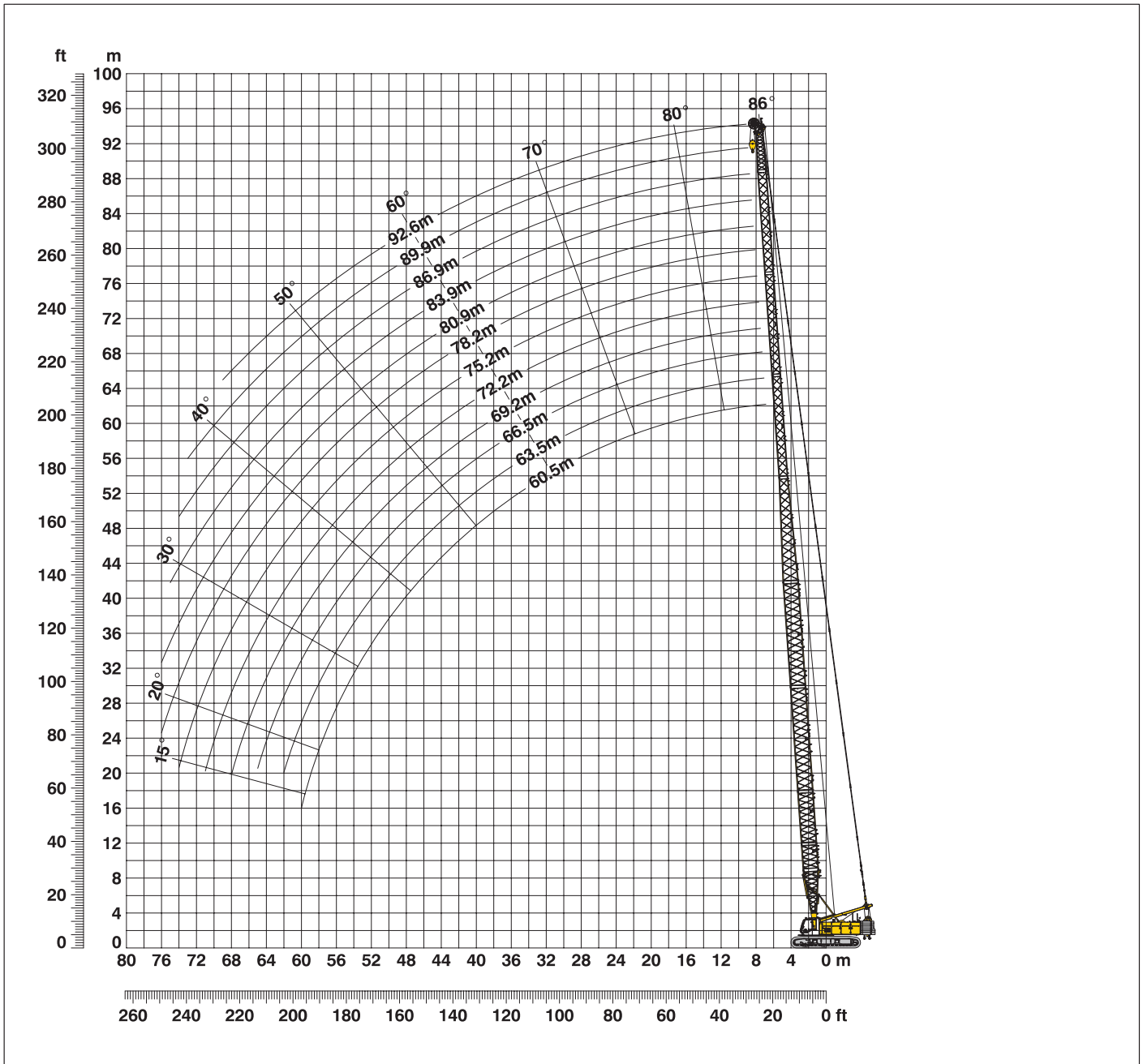
Capacities in metric tons for boom lengths (17 m – 80 m) – with 120 kN winches
50.9 t counterweight and 20 t carbody counterweight

Radius	Boom length in (m)												Radius	
	17	20	26	32	38	44	50	56	62	68	74	80		
(m)	t	t	t	t	t	t	t	t	t	t	t	t	t	(m)
3.4	137.2													3.4
4	137.2	133.4												4
5	112.8	108.4	106.9	97.3	79.4									5
6	94.8	97.3	87.0	87.7	74.6	62.0	52.7							6
7	85.7	77.6	81.1	73.9	68.3	55.7	50.3	44.5	36.7	29.1				7
8	73.0	74.1	71.1	67.7	61.9	52.4	46.6	42.5	35.0	28.9	23.4	18.9		8
9	64.9	63.4	61.7	61.2	56.1	48.6	44.1	41.2	33.9	27.7	22.6	18.8		9
10	60.2	56.4	57.0	52.3	52.3	44.4	41.5	39.2	32.9	26.7	21.8	18.0		10
12	49.4	49.4	44.4	45.3	42.2	39.4	37.4	36.2	30.3	24.7	20.4	16.9		12
14	40.8	40.8	40.7	38.9	38.2	33.0	31.2	32.0	28.4	22.2	19.0	15.6		14
16	34.0	33.9	32.9	33.9	31.2	30.6	28.3	27.9	25.4	21.0	18.0	14.7		16
18	12.1	29.1	29.0	28.9	28.7	27.2	25.7	24.9	21.7	19.4	16.7	13.8		18
20		25.2	25.2	25.1	24.9	24.5	21.4	22.0	21.0	18.2	15.6	12.9		20
22			22.1	22.0	21.2	21.6	20.2	19.8	19.0	17.2	14.6	10.9		22
24			19.6	19.6	19.3	19.1	18.9	18.0	17.1	15.7	13.9	10.4		24
26			17.5	17.5	17.3	17.1	16.8	16.5	15.5	14.3	12.8	10.1		26
28				15.8	15.6	15.4	15.1	14.9	14.2	13.1	10.8	9.5		28
30				14.3	14.1	13.9	13.6	13.4	13.1	12.2	10.2	9.0		30
32				13.0	12.8	12.6	12.4	12.1	11.0	11.2	9.7	8.5		32
34					11.8	11.4	11.3	10.8	10.3	10.3	9.3	8.1		34
36					10.8	10.6	10.4	10.1	9.6	9.4	8.7	7.8		36
38					9.9	9.7	9.5	9.2	8.9	8.6	8.0	7.4		38
40						9.0	8.7	8.4	8.1	7.9	7.3	6.8		40
42						8.2	8.0	7.7	7.4	7.2	6.7	6.2		42
44						7.6	7.3	7.1	6.8	6.5	6.1	5.7		44
46							6.8	6.5	6.2	6.0	5.6	5.2		46
50								5.7	5.5	5.2	4.9	4.6	4.3	50
55									4.4	4.2	3.9	3.6	3.3	55
60										3.3	3.0	2.7	2.4	60
65											2.3			65

Above lift chart is for reference only. For actual lift duty please refer to lift chart in operator's cab or manual.

L – boom high reach (No. 2017 / 1309.xx) **60.5 m – 92.9 m**

Working range 86° – 15°



L – boom configuration with 40 m main boom (No. 2017.xx / No. 1309.xx)

Configuration for L – boom lengths (60.5 m – 92.6 m)

Configuration	Length	Amount of boom and luffing jib extensions											
		1	1	1	1	1	1	1	1	1	1	1	1
Boom foot	7.0 m	1	1	1	1	1	1	1	1	1	1	1	1
Boom insert	3.0 m	1	1	1	1	1	1	1	1	1	1	1	1
Boom insert	6.0 m	1	1	1	1	1	1	1	1	1	1	1	1
Boom insert	12.0 m	2	2	2	2	2	2	2	2	2	2	2	2
Tapered	12.0 m	1	1	1	1	1	1	1	1	1	1	1	1
Luffing insert	3.0 m	1		1		1		1		1		1	
Luffing insert	6.0 m		1	1			1	1			1	1	
Luffing insert	11.7 m				1	1	1	1	2	2	2	2	3
Luffing jib head	5.5 m	1	1	1	1	1	1	1	1	1	1	1	1
Max. L – boom length (m)		60.5	63.5	66.5	69.5	72.2	75.2	78.2	80.9	83.9	86.9	89.9	92.6

Lift chart for L – boom (No. 2017 / 1309.xx)

Main boom length 40 m

Capacities in metric tons 50.9 t counterweight and 20 t carbody counterweight					
	Boom length in (m)				
	60.5	72.2	80.9	89.9	92.6
Radius (m)	t	t	t	t	t
6	40.0				
7	39.5	21.7			
8	37.8	21.3	13.4		
9	34.6	20.7	12.8	7.7	6.8
12	29.3	18.6	11.2	6.9	6.0
14	25.6	17.5	10.4	6.4	5.6
16	22.3	16.3	9.7	6.1	5.3
18	19.9	15.4	9.0	5.6	5.0
20	18.2	14.2	8.5	5.3	4.7
22	16.7	13.3	7.9	5.0	4.5
24	15.6	12.6	7.5	4.8	4.2
26	14.4	10.8	7.1	4.6	4.0
28	13.1	10.5	6.5	4.4	3.9
30	11.7	10.2	6.1	4.1	3.7
32	11.5	9.5	5.7	3.8	3.4
34	10.5	8.8	5.4	3.6	3.2
36	9.6	8.3	5.2	3.4	3.0
38	8.9	7.8	5.0	3.3	2.8
40	8.3	7.2	4.9	3.2	2.7
42	7.6	6.7	4.7	3.1	2.7
44	7.1	6.3	4.6	3.0	2.6
46	6.6	5.9	4.4	2.9	2.5
50	5.7	5.2	4.2	2.7	2.4
55	4.8	4.4	3.7	2.6	2.2
60	4.0	3.7	3.2	2.3	2.1
65		3.2	2.7	2.1	2.1
70		2.6	2.2	2.3	
75			2.2		

Main boom length 52 m

Capacities in metric tons 50.9 t counterweight and 20 t carbody counterweight					
	Boom length in (m)				
	72.5	78.5	84.2	90.2	92.9
Radius (m)	t	t	t	t	t
6.9	26.5				
8	26.1	20.3	16.0		
9	25.3	20.0	15.8	11.2	9.3
12	22.7	18.4	14.6	10.4	8.5
14	21.3	17.3	13.8	9.9	8.0
16	19.2	16.0	13.1	9.4	7.5
18	17.7	14.8	12.4	8.9	7.0
20	15.6	13.7	10.4	8.5	6.6
22	13.9	12.4	9.6	8.1	6.2
24	12.8	10.0	8.8	7.4	5.9
26	11.5	9.5	8.2	6.9	5.6
28	11.1	9.1	7.8	6.5	5.4
30	10.8	8.8	7.5	6.2	5.1
32	9.8	8.6	7.3	6.0	4.8
34	8.9	7.9	7.1	5.8	4.6
36	8.2	7.3	6.6	5.6	4.4
38	7.6	6.8	6.1	5.3	4.2
40	7.0	6.4	5.7	4.9	4.0
42	6.4	6.0	5.3	4.6	3.9
44	5.9	5.5	5.0	4.3	3.8
46	5.5	5.1	4.6	4.0	3.6
48	5.1	4.7	4.3	3.7	3.6
50	4.8	4.4	4.0	3.4	3.3
55	4.0	3.6	3.4	2.8	2.7
60	3.3	3.1	2.8	2.3	2.3
65	2.8	2.5	2.3	2.3	2.2
70	2.3	2.1	2.1		
75		2.0			

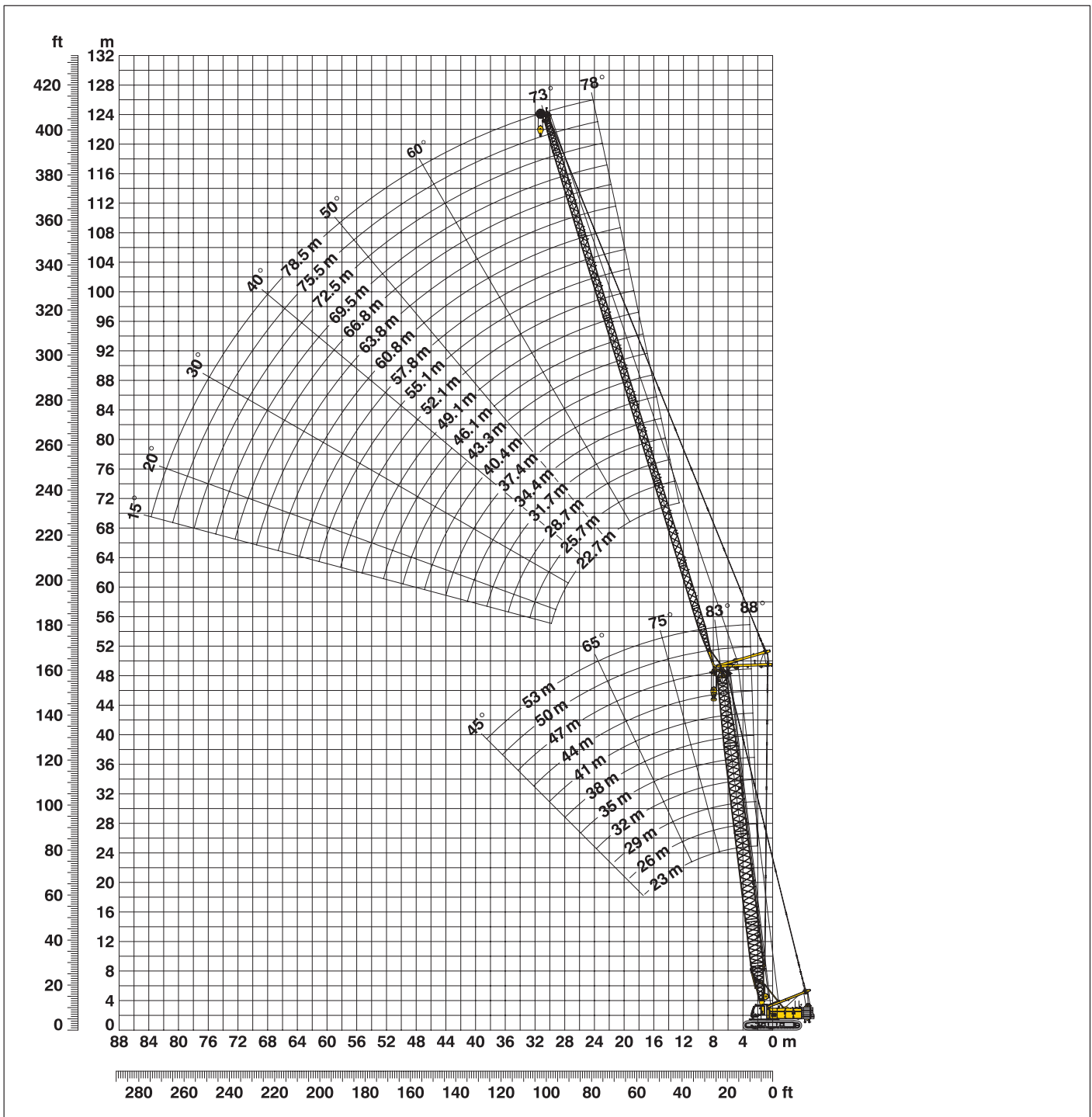
Above lift chart is for reference only. For actual lift duty please refer to lift chart in operator's cab or manual.

L – boom configuration with 52 m main boom (No. 2017.xx / No. 1309.xx)

Configuration for L – boom lengths (72.5 m – 92.9 m)									
	Length	Amount of boom and luffing jib extensions							
		1	1	1	1	1	1	1	1
Boom foot	7.0 m	1	1	1	1	1	1	1	1
Boom insert	3.0 m	1	1	1	1	1	1	1	1
Boom insert	6.0 m	1	1	1	1	1	1	1	1
Boom insert	12.0 m	3	3	3	3	3	3	3	3
Tapered	12.0 m	1	1	1	1	1	1	1	1
Luffing insert	3.0 m			1		1		1	
Luffing insert	6.0 m		1	1			1	1	
Luffing insert	11.7 m				1	1	1	1	2
Luffing jib head	5.5 m	1	1	1	1	1	1	1	1
Max. L – boom length (m)		72.5	75.5	78.5	81.2	84.2	87.2	90.2	92.9

Working range - luffing jib (No. 1309.xx) 78° - 15°

Main boom 88° - 45°



Boom configuration for main boom lengths (23 m - 53 m) – see table 1 on page 10
Jib configuration for jib lengths (22.7 m - 78.5 m)

	Length	Amount of luffing jib extensions																			
Luffing jib foot	5.5 m	1	1	1	1	1	1	1	1	1	1	1	1	1	1	1	1	1	1	1	
Luffing jib insert	3.0 m		1		1		1		1		1		1		1		1		1		
Luffing jib insert	6.0 m			1	1		1	1		1	1		1	1		1	1		1	1	
Luffing jib insert	11.7 m	1	1	1	1	2	2	2	2	3	3	3	3	4	4	4	4	5	5	5	5
Luffing jib head	5.5 m	1	1	1	1	1	1	1	1	1	1	1	1	1	1	1	1	1	1	1	1
Luffing jib length (m)		22.7	25.7	28.7	31.7	34.4	37.4	40.4	43.4	46.1	49.1	52.1	55.1	57.8	60.8	63.8	66.8	69.5	72.5	75.5	78.5

Lift chart – luffing jib (No. 1309.xx)

Main boom angle 88°

Main boom 23 m

Radius (m)	Jib length in (m)							
	22.7	28.7	34.4	40.4	49.1	60.8	69.5	78.5
8.2	43.3							
10	38.5	33.8						
11	34.9	31.7	26.3					
12	33.1	29.6	25.6	20.1				
14	28.8	26.3	22.9	19.3	13.3			
17	22.9	21.9	19.9	17.6	12.4	7.7		
18	22.2	20.6	18.9	17.0	12.1	7.6	5.8	
20	19.8	18.5	17.3	15.4	11.2	7.3	5.0	3.6
22	18.1	16.9	15.7	14.2	10.7	6.9	4.8	3.1
24	16.7	15.3	14.5	13.2	10.1	6.7	4.7	2.9
30		11.7	11.3	10.9	8.9	6.1	4.3	2.6
36			9.5	9.1	7.9	5.7	4.0	2.3
42				7.9	6.8	5.3	3.7	2.1
50					5.4	4.6	3.3	2.1
55						4.2	3.1	2.0
60						3.6	2.9	
70							2.3	

Main boom 32 m

Radius (m)	Jib length in (m)								
	22.7	28.7	34.4	40.4	49.1	60.8	69.5	78.5	
8.5	36.1								
10	33.4	28.8							
11	31.1	27.5	22.9						
13	27.5	24.6	21.6	17.8					
15	24.7	22.0	19.7	17.0	12.2				
17	21.5	20.0	18.0	15.7	11.3	7.0			
19	19.4	18.0	16.4	14.6	10.8	6.9	4.8		
22	16.0	15.6	14.2	13.0	10.1	6.6	4.6	2.9	
24	14.2	13.8	13.0	12.1	9.6	6.3	4.5	2.8	
30		10.8	10.2	9.9	8.3	5.9	4.1	2.5	
36			8.3	7.8	7.3	5.4	3.9	2.3	
38				7.3	6.8	5.3	3.8	2.2	
42				6.4	5.9	5.0	3.6	2.1	
46					5.2	4.5	3.4	2.2	
50						4.6	4.0	3.2	2.1
60							3.0	2.5	
65								2.1	

Main boom 38 m

Radius (m)	Jib length in (m)							
	22.7	28.7	34.4	40.4	49.1	60.8	69.5	78.5
8.8	31.5							
10	29.8	25.4						
12	26.5	23.3	20.3					
13	24.8	21.9	19.4	16.4				
15	22.0	19.8	17.8	15.4	11.1			
17	19.6	17.9	16.3	14.2	10.6	6.7		
19	17.7	16.2	14.8	13.2	10.1	6.6	4.6	
22	14.9	14.1	12.9	11.3	9.4	6.3	4.4	2.9
24	13.5	12.7	11.4	10.8	8.8	6.0	4.3	2.7
30		10.0	9.5	9.0	7.6	5.6	4.0	2.4
36			7.8	7.3	6.7	5.1	3.7	2.2
42				6.1	5.4	4.6	3.4	2.0
46					4.9	4.1	3.2	2.1
50					4.4	3.6	3.0	2.0
55						3.2	2.6	
60						2.7	2.2	

Main boom 47 m

Radius (m)	Jib length in (m)								
	22.7	28.7	34.4	40.4	49.1	60.8	69.5	78.5	
9.1	25.0								
11	22.6	20.0							
12	21.2	18.9	16.7						
13	20.0	17.9	15.9	13.6					
15	17.9	16.1	14.4	12.7	9.6				
18	15.1	13.9	12.5	11.0	8.9	6.0			
19	14.5	13.1	11.4	10.7	8.5	5.9	4.8		
22	12.7	11.2	10.5	9.3	7.7	5.5	4.1	2.7	
26		9.8	9.1	8.1	6.8	5.1	3.9	2.5	
32			7.1	7.6	6.9	5.8	4.5	3.5	2.2
36				6.3	6.3	5.3	4.1	3.3	2.1
42					5.0	4.6	3.6	2.9	2.1
44						4.4	3.5	2.7	2.0
50							3.9	3.0	2.4
55								2.7	2.0
60								2.3	

Main boom 50 m

Radius (m)	Jib length in (m)								
	22.7	28.7	34.4	40.4	49.1	55.1	60.8	69.5	
9.2	22.7								
11	20.8	18.4							
12	19.5	17.4	15.3						
13	18.4	16.4	14.6	12.5					
15	16.5	14.8	13.2	11.5	8.9				
16	15.5	14.0	12.7	11.1	8.8	7.7			
18	14.0	12.8	11.4	10.1	8.2	6.9	5.7		
19	13.4	12.1	10.9	9.8	7.9	6.7	5.6	4.6	
22	11.2	10.5	9.7	8.5	7.1	6.0	5.1	3.9	
26		8.9	8.3	7.4	6.2	5.4	4.6	3.6	
32			7.0	6.9	6.4	5.3	4.7	4.1	3.2
36				6.2	5.9	4.9	4.3	3.8	3.0
42					4.8	4.3	3.8	3.3	2.6
50						3.7	3.2	2.7	2.1
55							2.9	2.5	
60								2.1	

Main boom 53 m

Radius (m)	Jib length in (m)								
	22.7	25.7	28.7	31.7	34.4	37.4	40.4	49.1	
9.3	20.7								
10	20.3	18.6							
11	19.1	17.8	16.9						
12	17.9	16.9	15.9	15.0	14.0				
13	16.9	15.9	15.1	14.2	13.4	12.5	11.4		
15	15.2	14.2	13.6	12.9	12.2	11.3	10.6	8.7	
20	11.7	11.0	10.6	10.2	9.6	9.0	8.5	6.9	
24		9.8	9.5	9.0	8.6	8.1	7.7	7.2	6.0
26		10.1	8.9	8.4	8.0	7.6	7.1	6.7	5.6
28			7.8	7.9	7.6	7.2	6.7	6.3	5.3
32				6.5	6.7	6.6	6.1	5.8	4.8
34					6.2	6.2	5.9	5.5	4.6
36						5.8	5.6	5.3	4.4
40							4.8	4.8	4.1
42								4.4	3.9
50									3.3

Capacities in metric tons with luffing jib (No. 1309.xx) 50.9 t counterweight + 20 t carbody counterweight. Above lift chart is for reference only. For actual lift duty and complete chart with all available configurations please refer to lift chart in operator's cab or manual.

Lift chart - luffing jib (No. 1309.xx)

Main boom angle 83°

Main boom 23 m

Radius (m)	Jib length in (m)							
	22.7	28.7	34.4	40.4	49.1	60.8	69.5	78.5
12.2	t	t	t	t	t	t	t	t
14	37.6							
16	33.7	30.1						
18	29.1	27.0	23.6					
20	25.4	22.8	21.9	18.1				
22	22.4	21.0	19.6	17.3	11.8			
24	18.2	17.1	16.2	14.8	10.6	6.8		
26	16.9	15.7	14.9	13.8	10.2	6.6	5.1	
28		14.5	13.9	12.9	9.9	6.5	4.4	
30		13.7	12.9	12.1	9.6	6.3	4.4	2.7
32		12.9	12.1	11.4	9.2	6.1	4.3	2.6
38			10.2	9.5	8.2	5.7	4.0	2.3
44				8.8	7.2	5.4	3.7	2.1
46					7.0	5.2	3.6	2.1
50					6.4	4.9	3.5	2.2
55						4.6	3.2	2.1
60						4.2	3.0	
70							2.6	

Main boom 32 m

Radius (m)	Jib length in (m)							
	22.7	28.7	34.4	40.4	49.1	60.8	69.5	78.5
13.3	t	t	t	t	t	t	t	t
15	30.4							
17	28.1	24.7						
19	24.9	22.5	20.0					
22	21.7	20.2	18.5	15.9				
24	18.7	17.4	16.1	14.5	10.6			
26	15.7	14.8	13.8	12.7	9.7	6.4		
28	15.2	13.8	13.0	11.5	9.4	6.2	4.4	
30		12.9	12.2	11.0	9.1	6.1	4.2	2.6
34		11.3	10.7	10.1	8.4	5.8	4.0	2.4
38			9.6	9.0	7.8	5.6	3.9	2.3
40				8.6	7.5	5.4	3.8	2.2
44				7.6	6.8	5.2	3.6	2.1
46					6.6	5.1	3.5	2.0
50					5.9	4.7	3.4	2.1
55						4.4	3.2	2.0
65						3.4	2.7	
70							2.5	

Main boom 38 m

Radius (m)	Jib length in (m)							
	22.7	28.7	34.4	40.4	49.1	60.8	69.5	78.5
14	t	t	t	t	t	t	t	t
16	24.9							
18	22.3	20.1						
20	20.0	18.3	16.6					
22	17.7	16.4	15.1	13.5				
24	16.2	14.9	13.7	12.4	10.0			
26	13.8	12.7	11.4	10.6	8.8	6.0		
28	12.9	11.5	10.9	10.0	8.3	5.9	4.2	
32		10.7	9.8	9.0	7.6	5.6	4.0	2.5
34		10.1	9.4	8.6	7.3	5.4	3.9	2.4
40			8.6	7.4	6.4	4.9	3.6	2.2
46				6.3	5.6	4.4	3.3	2.2
48					5.4	4.2	3.2	2.1
50					5.2	4.1	3.1	2.1
55						3.7	2.8	
65						3.0	2.3	
70							2.1	

Main boom 47 m

Radius (m)	Jib length in (m)							
	22.7	28.7	34.4	40.4	49.1	60.8	69.5	78.5
15.1	t	t	t	t	t	t	t	t
17	18.1							
19	16.6	14.8						
22	14.8	13.5	12.2					
24	12.6	11.3	10.5	9.5				
26	11.5	10.5	9.6	8.7	7.2			
28	10.3	9.2	8.3	7.6	6.3	4.8		
30	10.3	8.8	7.9	7.1	6.0	4.6	3.6	
32		8.4	7.5	6.7	5.7	4.4	3.4	2.3
36		7.4	6.8	6.1	5.1	4.0	3.2	2.2
38			6.5	5.8	4.9	3.8	3.0	2.1
40			6.2	5.6	4.7	3.6	2.9	2.3
44				5.2	4.4	3.3	2.6	2.0
46				4.9	4.2	3.1	2.4	
50					3.9	2.9	2.2	
55					3.5	2.6	2.2	
65						2.1		

Main boom 50 m

Radius (m)	Jib length in (m)							
	22.7	28.7	34.4	40.4	49.1	55.1	60.8	69.5
15.5	t	t	t	t	t	t	t	t
18	16.2							
19	14.2	13.0						
22	13.5	12.3	11.0					
24	11.2	10.4	9.6	8.5				
26	10.5	9.5	8.7	7.8	6.4			
28	10.0	8.8	8.1	7.2	6.0	5.2		
30	9.5	8.4	7.5	6.8	5.7	5.0	4.3	
36	8.9	8.0	7.1	6.3	5.4	4.8	4.1	3.1
42		6.8	6.2	5.5	4.6	4.1	3.5	2.8
44			5.4	4.9	4.0	3.5	3.0	2.3
46				4.7	3.9	3.4	2.8	2.2
50				4.5	3.8	3.2	2.7	2.1
55					3.5	3.0	2.5	2.1
60					3.2	2.7	2.2	
65						2.4	2.0	

Main boom 53 m

Radius (m)	Jib length in (m)							
	22.7	25.7	28.7	31.7	34.4	37.4	40.4	49.1
15.9	t	t	t	t	t	t	t	t
17	14.4							
18	13.7	13.0						
19	13.0	12.4	11.2					
20	12.3	11.4	10.9	10.2				
22	11.3	10.8	10.4	9.9	9.4			
24	10.3	9.9	9.4	9.0	8.6	8.1	7.7	
26	9.6	9.0	8.7	8.2	7.8	7.4	6.9	5.6
28	8.7	8.1	7.5	7.1	6.7	6.4	6.0	5.1
30	8.1	7.7	7.2	6.7	6.3	6.0	5.7	4.8
32		7.3	6.9	6.4	6.0	5.6	5.4	4.6
36			6.2	5.9	5.6	5.2	4.9	4.1
38				5.6	5.4	5.0	4.7	3.9
42					4.9	4.7	4.4	3.6
44						4.4	4.3	3.5
48							3.8	3.2
55								2.8

Capacities in metric tons with luffing jib (No. 1309.xx) 50.9 t counterweight + 20 t carbody counterweight. Above lift chart is for reference only. For actual lift duty and complete chart with all available configurations please refer to lift chart in operator's cab or manual.

Lift chart – luffing jib (No. 1309.xx)

Main boom angle 75°

Main boom 23 m

Radius (m)	Jib length in (m)							
	22.7	28.7	34.4	40.4	49.1	60.8	69.5	78.5
18.3	t	t	t	t	t	t	t	t
22	27.9	22.2						
24	20.7	20.4	19.5					
26	18.7	18.5	17.7	15.8				
30	15.6	15.5	15.1	14.4	9.9			
36		12.3	12.2	11.6	9.2	5.8		
40			10.7	10.2	8.7	5.7	4.0	
42				9.7	8.3	5.6	3.9	2.5
44				9.2	8.0	5.5	3.8	2.2
46				8.7	7.7	5.4	3.8	2.1
48					7.4	5.3	3.7	2.1
50					7.1	5.2	3.6	2.0
55					6.3	4.9	3.4	2.1
60						4.6	3.2	
65						4.2	3.0	
70							2.9	
75							2.7	

Main boom 32 m

Radius (m)	Jib length in (m)							
	22.7	28.7	34.4	40.4	49.1	60.8	69.5	78.5
20.6	t	t	t	t	t	t	t	t
24	21.5	17.6						
26	17.1	16.3	15.3					
30	15.0	14.0	13.4	12.6				
32	13.9	13.0	12.5	11.7	9.5			
38		11.0	10.4	9.9	8.4	5.6		
40			10.0	9.3	8.0	5.5		
42			9.5	8.9	7.7	5.4	3.8	
44			9.0	8.4	7.4	5.3	3.7	
46				8.1	7.1	5.2	3.7	2.1
48				7.7	6.8	5.1	3.6	2.0
50				7.3	6.5	5.0	3.5	2.2
55					5.9	4.7	3.4	2.1
60						4.4	3.2	
65						4.0	3.0	
70							2.8	
75							2.6	

Main boom 38 m

Radius (m)	Jib length in (m)							
	22.7	28.7	34.4	40.4	49.1	60.8	69.5	78.5
22.2	t	t	t	t	t	t	t	t
26	17.2	13.7						
28	13.6	12.8	11.8					
30	12.7	11.6	11.1	10.0				
34	12.0	10.5	9.8	9.1	7.7			
40		9.7	8.3	7.7	6.8	5.0		
42			8.0	7.3	6.5	4.9	3.9	
44			7.7	7.0	6.2	4.8	3.4	
46				6.7	5.9	4.7	3.4	2.3
48				6.4	5.6	4.5	3.3	2.0
50				6.2	5.4	4.3	3.3	2.2
55					4.9	3.9	3.0	2.1
60					4.5	3.5	2.8	
65						3.2	2.5	
70						2.9	2.3	
75							2.1	

Main boom 47 m

Radius (m)	Jib length in (m)							
	22.7	28.7	34.4	40.4	49.1	60.8	69.5	78.5
24.5	t	t	t	t	t	t	t	t
28	11.5	9.2						
30	9.4	8.6	7.9					
32	8.8	8.0	7.4	7.2				
34	8.3	7.6	7.0	6.4				
36	8.0	7.1	6.5	6.0	5.0			
38		6.7	6.2	5.6	4.9			
40		6.5	5.8	5.3	4.6			
42		6.2	5.5	5.1	4.4	3.5		
44			5.3	4.8	4.2	3.3		
46			5.2	4.6	4.0	3.1	2.4	
48			5.0	4.4	3.8	3.0	2.4	
50				4.3	3.6	2.8	2.2	
55					3.2	2.4	2.1	
60					3.0	2.1		
65						2.1		

Main boom 50 m

Radius (m)	Jib length in (m)							
	22.7	28.7	34.4	40.4	49.1	55.1	60.8	69.5
25.3	t	t	t	t	t	t	t	t
28	10.0	8.4						
32	8.8	8.4						
34	7.6	7.0	6.4					
36	7.2	6.5	6.0	5.4				
38	7.0	6.1	5.6	5.1				
40		5.8	5.3	4.8	4.1			
42		5.5	5.0	4.5	3.9	3.5		
44		5.4	4.8	4.3	3.7	3.3	2.8	
46			4.5	3.9	3.3	2.9	2.5	2.2
48			4.3	3.7	3.2	2.8	2.4	2.1
50				3.6	3.0	2.6	2.2	
55					2.7	2.3	2.2	
60					2.5	2.3		
65						2.1		

Main boom 53 m

Radius (m)	Jib length in (m)							
	22.7	25.7	28.7	31.7	34.4	37.4	40.4	49.1
26.1	t	t	t	t	t	t	t	t
28	8.6	7.2						
30	7.6	7.2						
32	7.1	6.7	6.4	6.6				
34	6.6	6.2	6.0	5.7	5.4			
36	6.2	5.9	5.6	5.3	5.1	4.8	4.5	
38	6.7	5.3	5.0	4.8	4.5	4.3	4.1	3.4
40		5.2	4.8	4.5	4.3	4.0	3.8	3.2
42			4.7	4.3	4.1	3.9	3.7	3.1
44			4.5	4.2	3.9	3.7	3.5	2.9
46				4.1	3.8	3.5	3.3	2.7
48					3.7	3.4	3.1	2.6
50						3.3	3.0	2.4
55							2.9	2.1
60								2.3

Capacities in metric tons with luffing jib (No. 1309.xx) 50.9 t counterweight + 20 t carbody counterweight. Above lift chart is for reference only. For actual lift duty and complete chart with all available configurations please refer to lift chart in operator's cab or manual.

Lift chart - luffing jib (No. 1309.xx)

Main boom angle 65°

Main boom 23 m

Radius (m)	Jib length in (m)							
	22.7	28.7	34.4	40.4	49.1	60.8	69.5	78.5
25.4	t	t						
30	18.1	14.5						
34	14.7	12.4	12.2					
36	12.6	11.6	11.4	11.1				
40		10.1	9.9	9.7				
42			9.3	9.1	8.3			
44			8.7	8.5	8.0			
46				8.0	7.7			
48				7.5	7.2	5.4		
50				7.1	6.8	5.3		
55					5.9	5.1	3.5	
60						4.7	3.3	2.0
65						4.1	3.2	
70						3.5	3.0	
75							2.8	

Main boom 32 m

Radius (m)	Jib length in (m)							
	22.7	28.7	34.4	40.4	49.1	60.8	69.5	78.5
29.2	t	t						
34	14.1	11.4						
36	11.7	10.6	10.4					
38	10.9	9.9	9.7					
40	10.1	9.3	9.1	8.8				
42		8.7	8.5	8.2				
44		8.1	8.0	7.7				
46			7.5	7.2	6.8			
48			7.1	6.8	6.4			
50				6.4	6.1			
55				5.6	5.2	4.6		
60					4.5	4.1	3.2	
65						3.5	3.0	
70						3.0	2.7	
75							2.6	2.3

Main boom 38 m

Radius (m)	Jib length in (m)							
	22.7	28.7	34.4	40.4	49.1	60.8	69.5	
31.8	t	t						
36	11.9	9.9						
40	10.2	8.6	8.4					
42	8.9	8.1	7.9	7.6				
46		7.1	6.9	6.6				
48			6.5	6.3	5.7			
50			6.2	5.9	5.4			
55				5.1	4.7	4.0		
60					4.1	3.5	2.9	
65					3.5	3.0	2.5	
70						2.6	2.1	
75							2.2	

Main boom 47 m

Radius (m)	Jib length in (m)							
	22.7	28.7	34.4	40.4	49.1	60.8		
35.6	t	t						
38	9.0							
40	8.4							
42	7.9	7.5						
44	7.4	7.0						
46	6.9	6.6	6.2					
48		6.2	5.8	5.5				
50		5.9	5.5	5.1				
55		5.5	5.2	4.8				
60			4.6	4.3	3.7			
65				3.7	3.2	2.5		
70					2.8	2.1		
					2.4			

Main boom 50 m

Radius (m)	Jib length in (m)							
	22.7	28.7	34.4	40.4	49.1	60.8		
36.8	t	t						
42	8.1	6.4						
44	6.9	6.1	5.4					
46	6.6	5.7	5.3					
48		5.5	5.0	4.5				
50		5.2	4.8	4.3				
55			4.3	3.9	3.3			
60				3.4	2.8	2.1		
65					2.4			
70					2.1			

Main boom 53 m

Radius (m)	Jib length in (m)							
	22.7	25.7	28.7	31.7	34.4	37.4	40.4	49.1
38.1	t	t						
40	7.2	6.5						
42	6.3	5.7	5.3					
44	6.0	5.4	5.1	4.8				
46	5.7	5.1	4.9	4.6	4.4			
48	5.6	5.1	4.7	4.4	4.2	4.0		
50		5.0	4.6	4.2	4.0	3.8	3.6	
55				4.0	3.7	3.4	3.2	2.6
60						3.2	3.0	2.3
65								2.1

Capacities in metric tons with luffing jib (No. 1309.xx) 50.9 t counterweight + 20 t carbody counterweight. Above lift chart is for reference only. For actual lift duty and complete chart with all available configurations please refer to lift chart in operator's cab or manual.

Lift chart – luffing jib (No. 1309.xx)

Main boom angle 45°

Main boom 23 m

Radius (m)	Jib length in (m)					
	22.7	28.7	34.4	40.4	49.1	60.8
t	t	t	t	t	t	t
37.3	9.8					
40	9.0					
44		7.7				
46		7.3				
48			6.6			
50			6.3			
55				5.2		
60					4.2	
65					3.6	
70						2.7
75						2.3

Main boom 32 m

Radius (m)	Jib length in (m)				
	22.7	28.7	34.4	40.4	49.1
t	t	t	t	t	t
43.7	6.8				
44	6.7				
46	6.3				
50		5.3			
55			4.4		
60				3.6	
70					2.3

Main boom 38 m

Radius (m)	Jib length in (m)			
	22.7	28.7	34.4	40.4
t	t	t	t	t
47.9	5.1			
50	4.8			
55		3.9		
60			3.1	
65				2.4

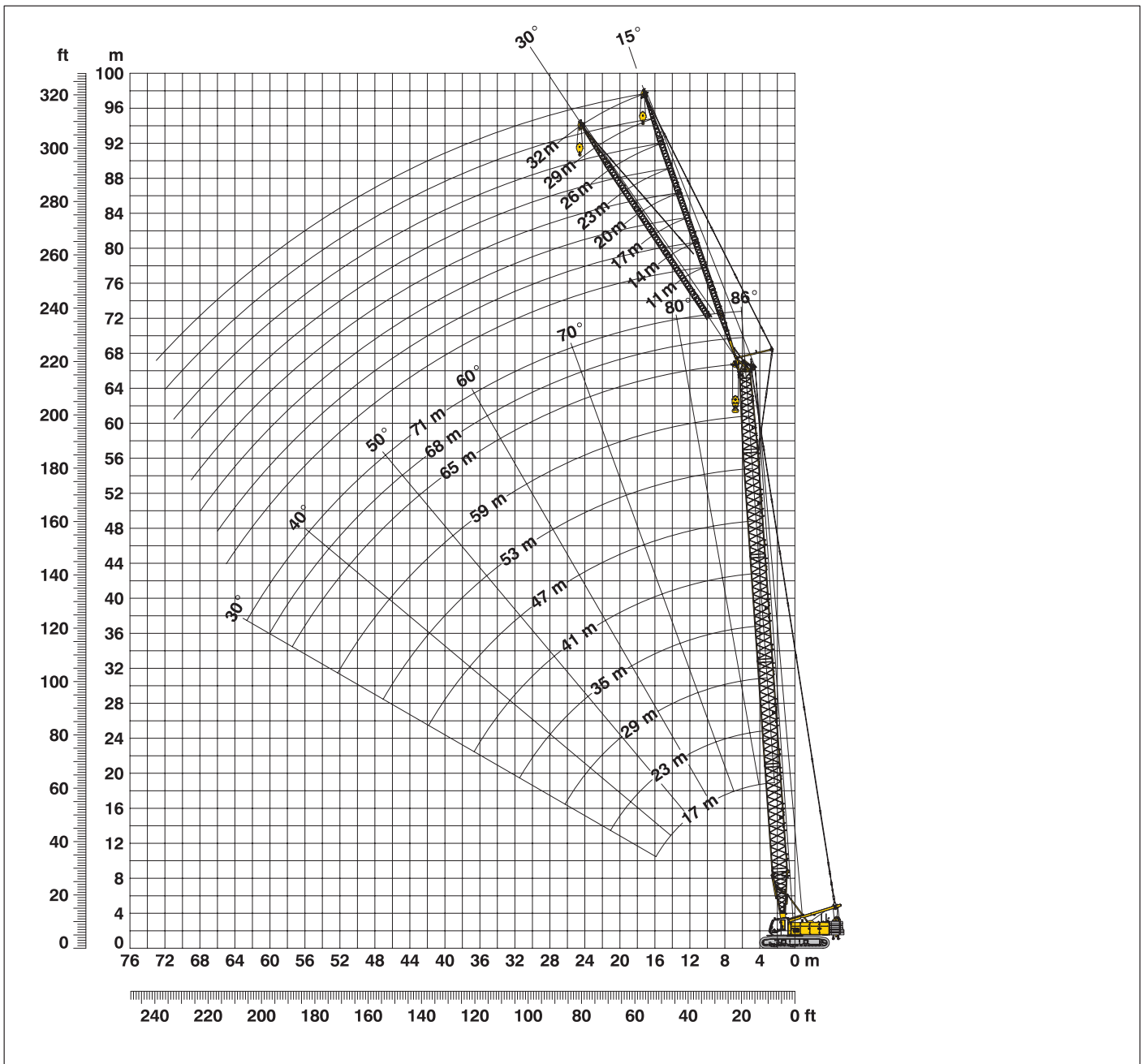
Main boom 47 m

Radius (m)	Jib length in (m)	
	22.7	28.7
t	t	t
54.3	3.0	
55	2.9	
60		2.2

Capacities in metric tons with luffing jib (No. 1309.xx) 50.9 t counterweight + 20 t carbody counterweight. Above lift chart is for reference only. For actual lift duty and complete chart with all available configurations please refer to lift chart in operator's cab or manual.

Working range - fixed jib (No. 0806.xx) 15° and 30°

Main boom 88° - 30°



Boom configuration for boom lengths (17 m - 71 m) – see table 1 on page 10

Fixed jib configuration for fixed jib lengths (11 m - 32 m)

	Length	Amount of fixed jib extensions							
Fixed jib foot	5.5 m	1	1	1	1	1	1	1	1
Fixed jib insert	3.0 m		1		1		1		1
Fixed jib insert	6.0 m			1	1	2	2	3	3
Fixed jib head	5.5 m	1	1	1	1	1	1	1	1
Fixed jib length (m)		11	14	17	20	23	26	29	32

Lift chart – fixed jib (No. 0806.xx)

Offset 15°

Main boom 17 m

Radius (m)	Fixed jib length in (m)			
	11	20	26	32
5.5	t	t	t	t
10	24.0	14.2		
12	23.6	13.4	7.7	
15	22.5	12.3	7.0	4.3
18	21.1	10.2	6.5	4.1
20	19.4	9.7	6.2	3.9
22	18.0	9.2	5.9	3.8
24	16.8	8.9	5.7	3.7
26	15.6	8.5	5.5	3.5
36		7.1	4.8	3.2
42			4.6	3.1
48				2.9

Main boom 26 m

Radius (m)	Fixed jib length in (m)			
	11	20	26	32
5.8	t	t	t	t
10	24.0	14.3		
12	24.0	13.6	8.7	
15	22.9	12.6	7.2	4.3
20	20.9	10.3	6.4	3.9
24	19.2	9.5	5.9	3.7
28	16.5	8.9	5.6	3.5
32	13.7	8.5	5.3	3.4
34	12.6	8.2	5.2	3.3
44		7.2	4.7	3.1
50			4.6	3.0
55				2.9

Main boom 35 m

Radius (m)	Fixed jib length in (m)			
	11	20	26	32
6.1	t	t	t	t
10	24.0	13.6		
13	23.7	12.8	7.3	
15	23.2	12.3	7.0	4.3
20	21.2	10.1	6.3	3.9
28	16.2	8.9	5.6	3.6
36	11.2	8.2	5.1	3.3
40	9.5	7.9	5.0	3.2
42	8.8	7.8	4.9	3.2
50		6.8	4.7	3.1
55			4.6	3.0
60				2.9

Main boom 44 m

Radius (m)	Fixed jib length in (m)			
	11	20	26	32
6.4	t	t	t	t
11	23.9	13.2		
13	23.1	12.7	7.3	
16	21.9	12.1	6.9	4.1
20	20.2	10.2	6.4	3.9
28	15.7	9.2	5.7	3.6
36	10.8	8.5	5.3	3.4
44	7.8	7.5	5.0	3.2
50	6.1	6.7	4.8	3.1
60		4.6	4.5	3.0
65			4.1	2.9
70				2.8

Main boom 53 m

Radius (m)	Fixed jib length in (m)			
	11	20	26	32
6.7	t	t	t	t
11	22.5	12.3		
13	21.7	11.0	7.6	
16	20.5	10.4	6.6	4.1
20	18.9	9.7	6.2	3.9
28	15.2	8.7	5.6	3.6
36	10.4	8.0	5.2	3.4
44	7.3	7.2	4.9	3.2
55	4.6	5.1	4.5	3.0
65		3.4	3.7	2.9
70			3.0	2.9
75				2.6

Main boom 59 m

Radius (m)	Fixed jib length in (m)			
	11	20	26	32
6.9	t	t	t	t
11	20.9	10.8		
14	19.9	10.4	6.6	
16	19.0	10.0	6.4	4.0
20	17.7	9.4	6.0	3.9
28	14.0	8.5	5.5	3.6
36	9.6	7.9	5.2	3.4
44	7.0	6.7	4.9	3.2
55	4.3	4.8	4.4	3.0
60	3.4	3.9	4.0	3.0
70		2.4	2.7	2.8
75			2.1	2.3

Main boom 65 m

Radius (m)	Fixed jib length in (m)			
	11	20	26	32
7.2	t	t	t	t
11	20.3	11.0		
14	18.0	9.9	6.4	
16	17.2	9.5	6.2	4.5
20	15.8	9.0	5.9	3.8
28	12.5	8.1	5.4	3.6
36	9.3	7.7	5.0	3.4
44	6.7	6.3	4.8	3.2
55	4.0	4.5	4.4	3.0
65	2.3	2.8	3.1	2.8
70		2.1	2.4	2.6
75				2.1

Main boom 68 m

Radius (m)	Fixed jib length in (m)			
	11	14	20	26
7.3	t	t	t	t
9	19.1	15.7		
11	18.0	15.3	10.6	
14	16.8	14.5	9.5	6.2
16	16.1	14.0	9.2	6.1
20	14.5	12.9	8.7	5.7
28	11.2	10.6	7.8	5.2
36	9.0	8.9	7.2	4.9
44	6.5	6.5	6.0	4.7
55	3.8	4.0	4.4	4.2
65	2.2	2.3	2.7	3.0
70				2.3

Main boom 71 m

Radius (m)	Fixed jib length in (m)			
	11	14	17	
7.3	t	t	t	
9	19.1	15.7		
10	18.4	15.5	13.0	
12	17.6	15.1	12.7	
14	16.8	14.5	12.4	
16	16.1	14.0	11.3	
20	14.5	12.9	10.7	
28	11.2	10.6	9.6	
36	9.0	8.9	8.8	
44	6.5	6.5	6.5	
55	3.8	4.0	4.2	
65	2.2	2.3	2.5	

Capacities in metric tons with fixed jib (No. 0806.xx) 50.9 t counterweight + 20 t carbody counterweight. Above lift chart is for reference only. For actual lift duty and complete chart with all available configurations please refer to lift chart in operator's cab or manual.

Lift chart - fixed jib (No. 0806.xx)

Offset 30°

Main boom 17 m

Radius (m)	Fixed jib length in (m)			
	11	20	26	32
8	t	t	t	t
14	24.0	10.2		
18	18.0	9.2	5.9	
22	15.7	8.4	5.4	3.5
24	14.9	8.1	5.2	3.4
26	14.4	7.8	5.0	3.3
28	13.9	7.5	4.9	3.3
36		6.8	4.5	3.1
38			4.5	3.1
42			4.4	3.0
44				3.0
48				2.9

Main boom 26 m

Radius (m)	Fixed jib length in (m)			
	11	20	26	32
8.3	t	t	t	t
14	24.0	11.7		
18	19.9	9.6	6.0	
22	17.7	8.9	5.6	3.5
24	16.8	8.6	5.4	3.4
28	15.4	8.1	5.1	3.3
32	13.9	7.7	4.9	3.2
34	12.7	7.5	4.8	3.2
36	11.6	7.3	4.8	3.1
44		6.8	4.6	3.0
50			4.4	2.8
55				2.7

Main boom 35 m

Radius (m)	Fixed jib length in (m)			
	11	20	26	32
8.6	t	t	t	t
15	23.4	9.8		
18	20.1	9.2	6.6	
22	19.3	8.6	5.4	3.5
28	16.4	8.1	5.1	3.3
32	13.6	7.7	4.9	3.2
36	11.4	7.4	4.8	3.1
40	9.6	7.1	4.7	3.1
42	8.9	7.0	4.6	3.0
50		6.5	4.5	2.9
55			4.4	2.8
60				2.8

Main boom 44 m

Radius (m)	Fixed jib length in (m)			
	11	20	26	32
8.9	t	t	t	t
15	22.1	9.8		
19	19.3	9.2	5.7	
24	18.0	8.6	5.4	3.4
28	15.9	8.3	5.2	3.3
36	11.0	7.8	4.9	3.2
44	7.9	7.2	4.7	3.0
48	6.7	6.7	4.6	3.0
50	6.2	6.5	4.6	3.0
60		4.6	4.4	2.9
65			4.1	2.9
70				2.8

Main boom 53 m

Radius (m)	Fixed jib length in (m)			
	11	20	26	32
9.3	t	t	t	t
15	20.6	10.1		
19	18.1	8.7	5.5	
24	16.3	8.2	5.2	3.4
28	15.0	7.9	5.0	3.3
36	10.4	7.6	4.8	3.2
44	7.5	6.8	4.6	3.1
48	6.3	6.4	4.5	3.0
55	4.7	5.3	4.4	3.0
65		3.5	3.8	2.9
70			3.1	2.9
80				2.1

Main boom 59 m

Radius (m)	Fixed jib length in (m)			
	11	20	26	32
9.5	t	t	t	t
16	19.3	8.7		
19	16.5	8.5	5.3	
24	14.8	8.0	5.1	3.3
28	13.4	7.7	4.9	3.3
36	9.9	7.4	4.7	3.1
44	7.2	6.5	4.6	3.0
48	6.0	6.1	4.5	3.0
55	4.4	5.1	4.4	2.9
60	3.5	4.1	4.0	2.9
70		2.5	2.9	2.8
75			2.2	2.5

Main boom 65 m

Radius (m)	Fixed jib length in (m)			
	11	20	26	32
9.7	t	t	t	t
16	17.6	8.4		
20	14.7	8.0	5.2	
24	13.6	7.7	5.0	3.3
28	12.2	7.4	4.8	3.2
36	9.6	7.0	4.6	3.1
44	6.9	6.3	4.5	3.0
48	5.8	5.8	4.4	3.0
55	4.1	4.8	4.3	2.9
65	2.4	3.0	3.4	2.8
70		2.3	2.6	2.6
75				2.3

Main boom 68 m

Radius (m)	Fixed jib length in (m)			
	11	14	20	26
9.8	t	t	t	t
12	16.5	13.6		
16	14.9	13.0	8.1	
20	13.5	12.2	7.8	5.1
24	12.4	10.7	7.5	4.9
28	11.2	10.1	7.2	4.7
36	9.3	9.0	6.7	4.6
44	6.6	6.6	6.0	4.5
48	5.6	5.8	5.5	4.4
55	4.0	4.2	4.7	4.1
65	2.3	2.5	2.9	3.2
70			2.1	2.5

Main boom 71 m

Radius (m)	Fixed jib length in (m)			
	11	14	17	
9.9	t	t	t	t
12	15.4	12.9		
14	14.5	12.6	10.1	
16	13.8	12.3	9.9	
20	12.7	11.0	9.5	
28	10.4	9.5	8.5	
36	8.9	8.3	7.6	
40	7.5	7.5	7.3	
44	6.3	6.4	6.4	
48	5.4	5.5	5.5	
55	3.8	4.1	4.3	
65	2.1	2.3	2.5	

Capacities in metric tons with fixed jib (No. 0806.xx) 50.9 t counterweight + 20 t carbody counterweight. Above lift chart is for reference only. For actual lift duty and complete chart with all available configurations please refer to lift chart in operator's cab or manual.

Notice

